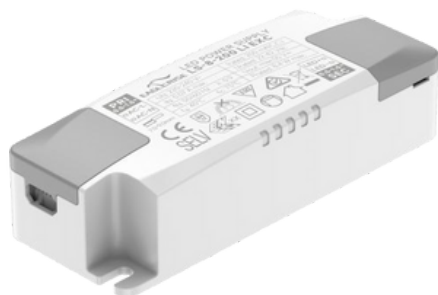


## 8W Constant Current power supply



### Features

Class II, SELV, independent  
Input Voltage 220-240VAC  
Protections: SCP/OLP/OVP  
Power Factor : 0.8C-0.95  
Efficiency: 80%  
5 years warranty

### Applications

LED panel, LED down light  
LED spot light

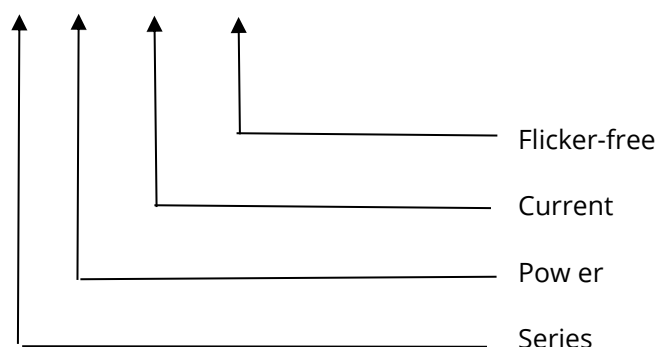


### Description

LS-8-XXX LI EXC is a 8W constant current LED driver that operates from 198-264Vac input with 120 to 350mA output current. With it's compact dimensions from 100 x 38.2 x 25mm it is easy to integrate in LED Panel, spot, down lights. To ensure trouble-free operation, protection is provided against output short circuit and over Load.

### Model code

LS-8-XXX LI EXC



## Specification

	Constant Current(mA)	120	150	180	200	220	250	300	350	
Output	Voltage Range(VDC)	27-50		22-42			14-27		12-24	
	Unload voltage Max.(VDC)	59		55			45		35	
	Current Accuracy	±7%					±5%			
	Output HF current ripple(≥1KHz)	±5%								
	Output LF current ripple(≤120Hz)	±3%								
	SVM	≤0.4								
	Pst	≤1								
	Efficiency(Typ.)	80%								
	Input	Rated input voltage	220-240VAC							
Range of input voltage		198-264VAC								
Range input voltage(DC)		198-280VDC								
Frequency(Hz)		0/50/60Hz								
Displacement factor(Typ.)		≥0.9								
Power Factor		0.8C-0.95								
Input Current max		0.07A								
Start-up time		<0.5S								
No Load Power		≤0.5W								
Inrush Current		20AMax@230V,FullLoad								
THD(Typ.)		<20%								
Protection		Over Load Protection	103-130%							
		YES/Auto Resume								
	Over Voltage Protection	59VDC			55VDC			45VDC		3 5VDC
		YES/Auto Resume								
Environment	Short circuit Protection	YES/AutoResume								
	Operating Temperature	-20°C~+55°C								
	Humidity	10%-90%RH								
	Tc	75°C								
	Storage Temperature	-25°C~+60°C								
Surface	Lifetime	>50000h@Tc=75°C								
	Dimension	100x38.2x25mm								
Standards	EN61347-1; EN61347-2-13;EN62384; EN55015;EN61000-3-2;EN61000-3-3; EN61547									
Others	ErP	EU2019/2020								
	RoHS	RoHS(2011/65/EU) (EU)2015/863								
Note	1.All parameters NOT specially mentioned are measured at 230VAC input , full load and 25°C of ambient temperature. 2.Ripple & Noise are measured at 20MHz of bandwidth by using a 300mm twisted pair-wire terminated with a 0.1uF & 47 uF parallel capacitor.									

## Model list

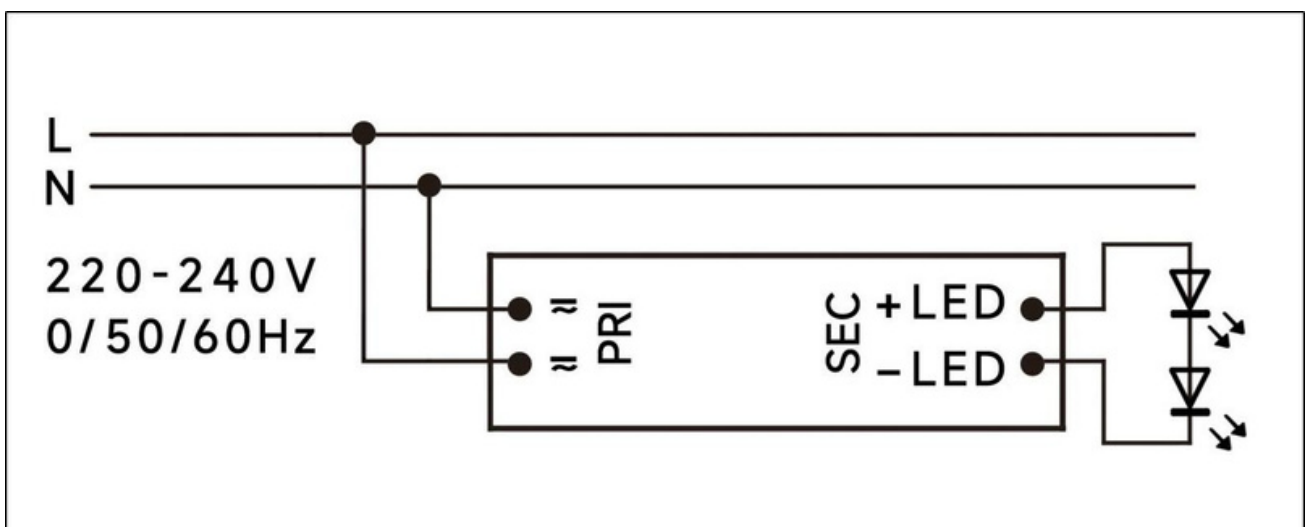
Number	Model number	Input			Output			
		Voltage (VAC)	Current (A)	Frequency (Hz)	Current (mA)	Voltage (VDC)	Voltage No load (VDC)	Power (W)
	1 *LS-8-120LIEXC	220-240	0.07	0/50/60	120	27-50	59	6
	2 *LS-8-150LIEXC				150			7.5
	3 *LS-8-180LIEXC				180	7.5		
	4 *LS-8-200LIEXC				200	22-42	55	8.4
	5 *LS-8-220LIEXC				220			
	6 LS-8-250LIEXC				250	14-27	45	6.8
	7 *LS-8-300LIEXC				300			
	*8 *LS-8-350LIEXC				350	12-24	35	8.4

\* Factory default

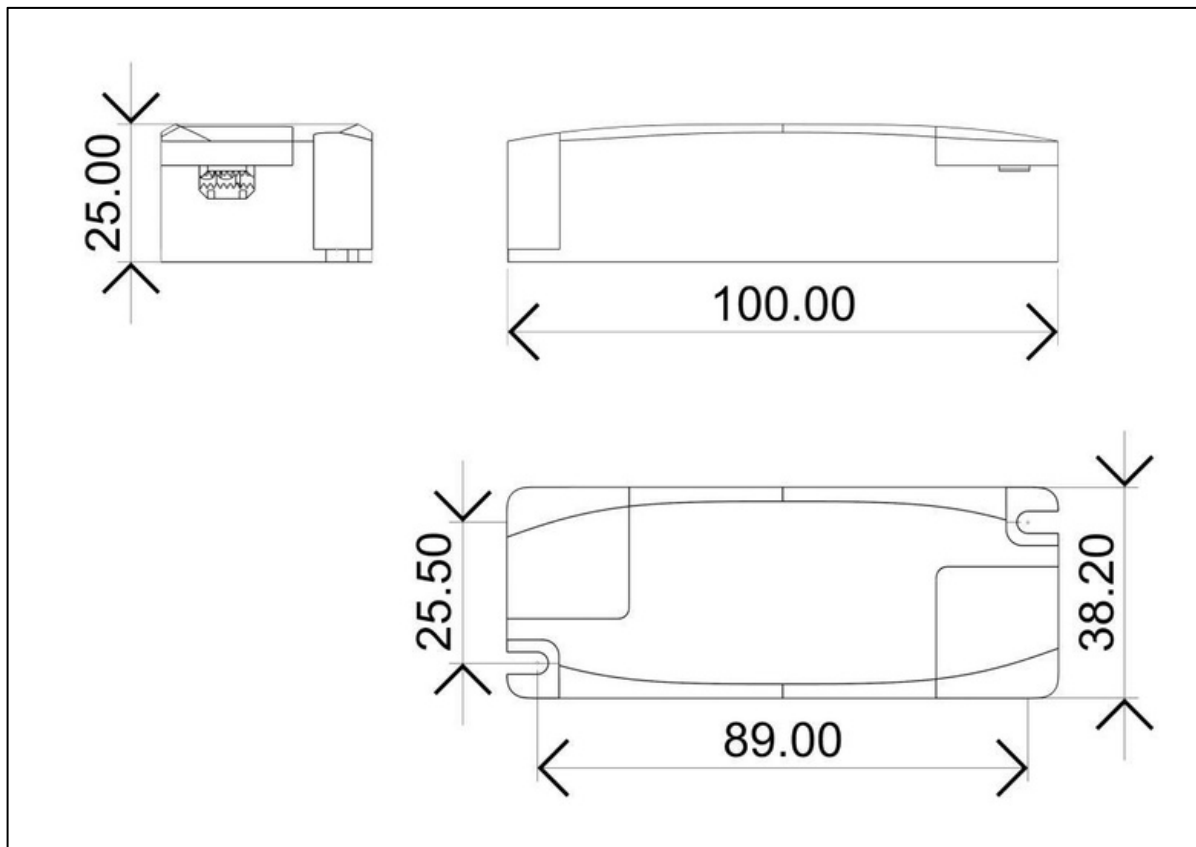
## Circuit Breaker

Ipeak	Twidth	B10	B16	B20	C10	C16	C20
2.44A	38μs	114pcs	182pcs	228pcs	114pcs	182pcs	228pcs

## Wiring diagram



## 2D diagram

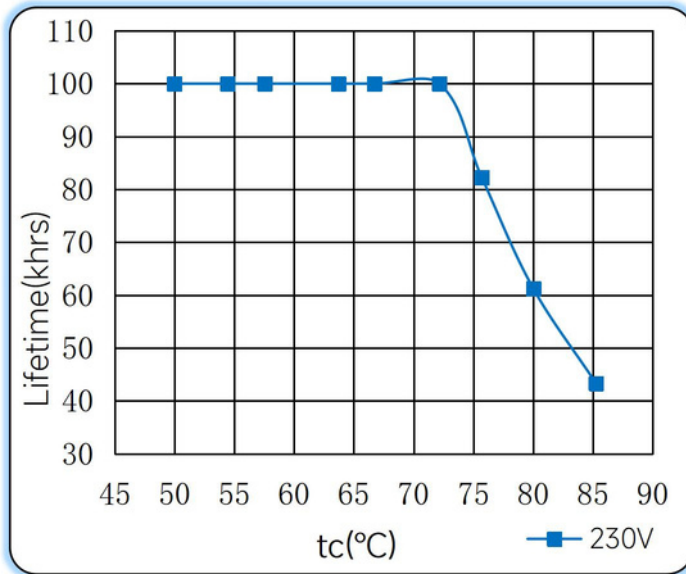


## Wiring & Connections

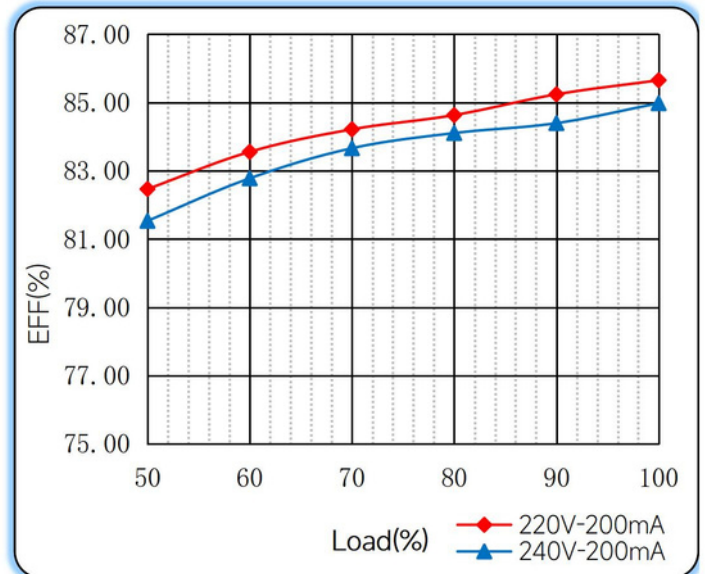
	Specification item	Value (Unit)
Input	Input wire cross-section	0.5...1.5 mm <sup>2</sup>
	Input wire gauge.	16...20 AWG
	Input wire strip length	7...9mm
Output	Output wire cross-section	0.5...1.5 mm <sup>2</sup>
	Output wire gauge.	16...20 AWG
	Output wire strip length	7...9mm

**Curve for LS-8-200 LI EXC, I<sub>o</sub>=200mA**

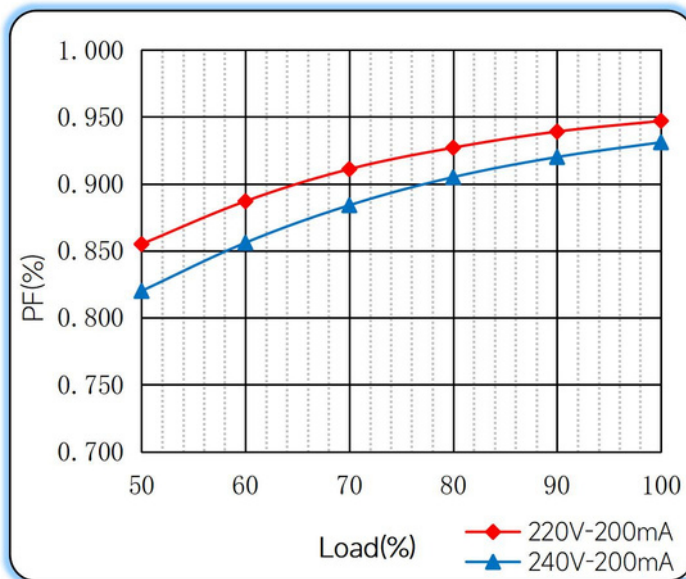
Lifetime vs. Temperature Curve



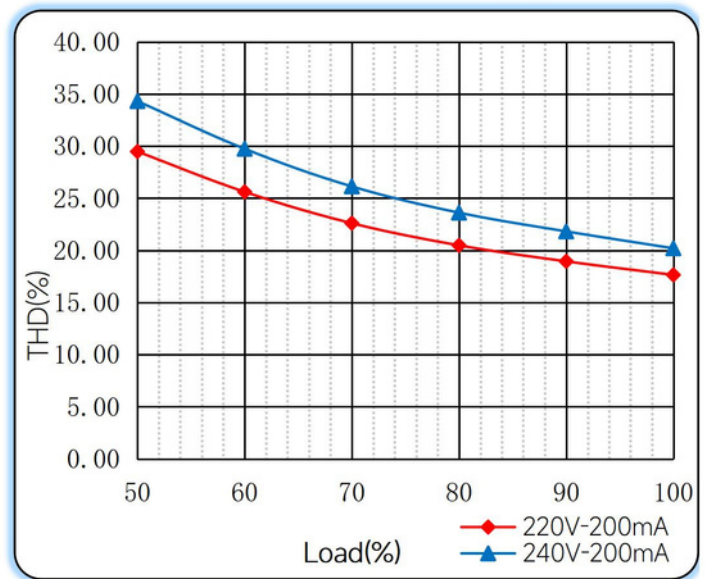
Efficiency vs. Load



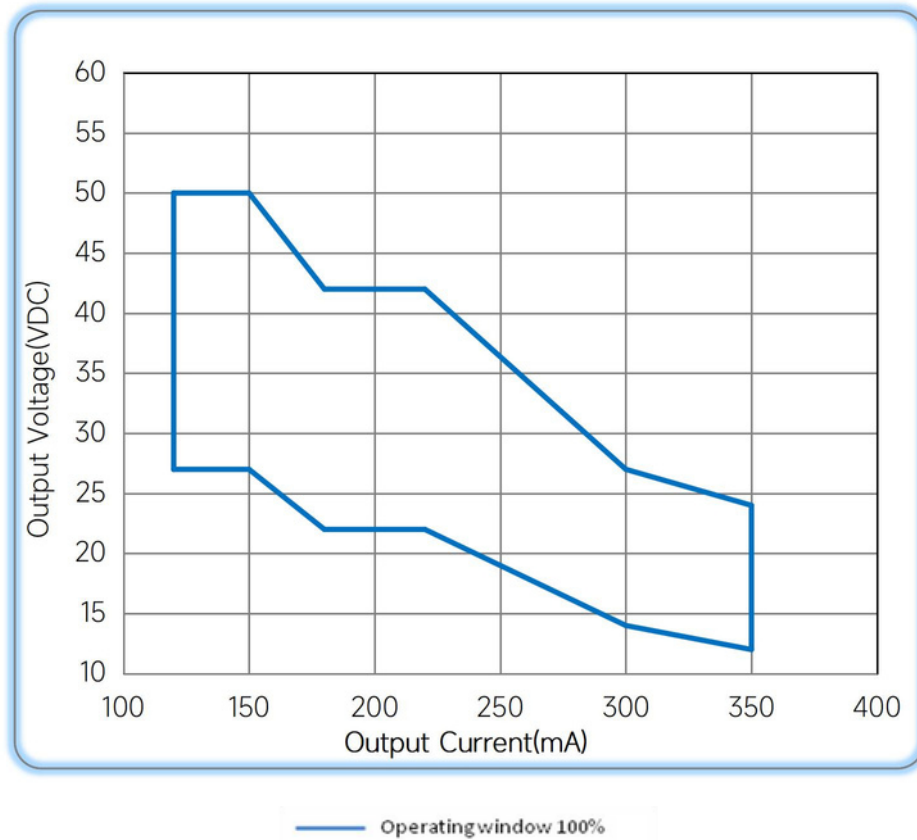
Power Factor Characteristics



THD vs. Load



## Operating window



## Revision Updates

ITEM	BEFORE	AFTER	VERSION	DATE
Initial			A	2022/08/08
Specification		updated	B	2023/01/04
Power Factor	0.95	0.8C-0.95	C	2023/02/08